



INSTRUCTIONS

360 Y-DROP™ SHIELD UPGRADE

The 360 Y-DROP Shield Upgrade ships as shown in Figure 1.

CONTENTS

Figure 2

- + (1) Shield
- + (2) Rubber washers
- + (2) Hose assemblies
- + (2) 1/2" screws
- + (2) 3/4" screws

INSTALLATION

Figure 3

Step 1 Disconnect hose assembly (1) and hose assembly (2).

Step 2 Remove pin (3) and remove 360 Y-DROP base (4). Retain pin for re-use.

Figures 4 and 5

Step 3 Install one rubber washer (1) into each hose assembly (2).

Figure 6

Step 4 Install hose assemblies (1) as shown.



Figure 1



Figure 2

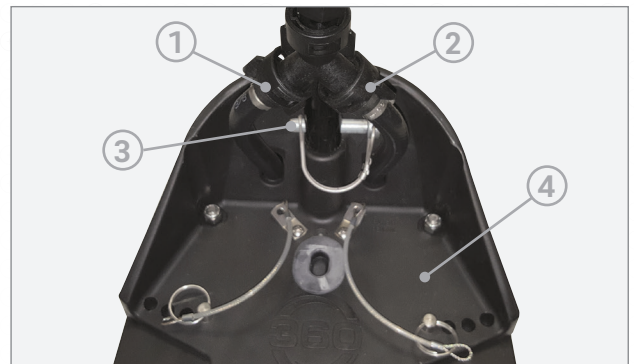


Figure 3



Figure 4



Figure 5



Figure 6

+ **INSTALLATION** (continued)

Figure 7

Step 5 Install shield (1) onto riser tube (2).

Figure 8

Step 6 Install Riser Tube (1) onto 360 Y-DROP base (2).

Step 7 Re-install pin (3) removed in Step 2.

Figure 9

Step 8 Install Riser Tube (1) onto 360 Y-DROP base (2).



CAUTION: Do NOT use a drill or impact driver for Steps 9 and 10.

Step 9 Install two ½" screws (1).

Step 10 Install two ¾" screws (2).

Step 11 Connect riser hose assembly (3).

Repeat Steps 1-11 for the remaining 360 Y-DROP Shields.

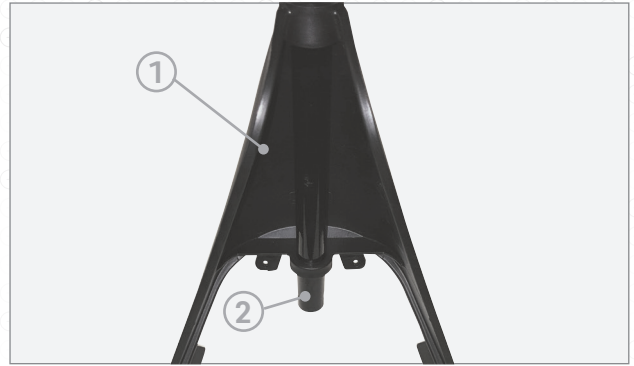


Figure 7

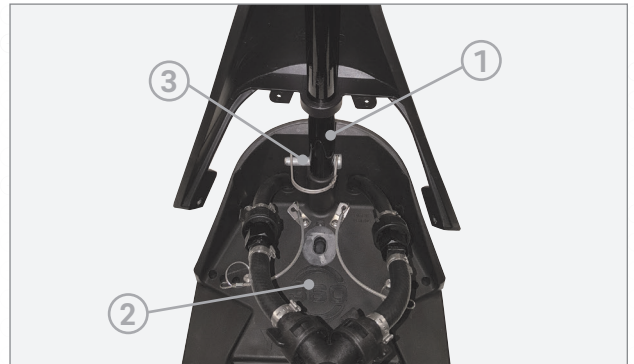


Figure 8

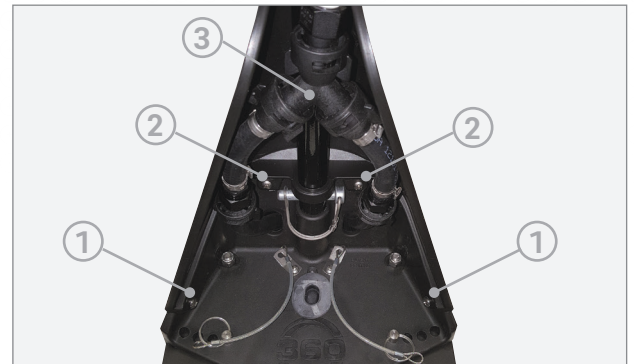


Figure 9

Figures 10 and 11

+ **INSTALLATION COMPLETE.**



Figure 10



Figure 11

